

# BFM<sup>®</sup> fitting

## *Keeping You Connected*



 **BFM<sup>®</sup>**  
**fitting**  
*“Keeping You Connected”*

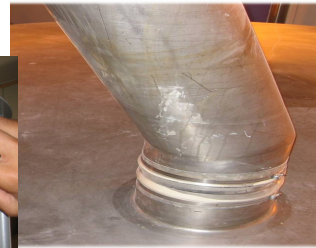
# FROM THIS....



**UNTIDY**



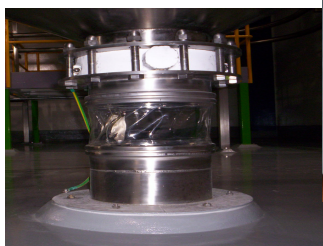
**DIFFICULT TO FIT**



**PRODUCT BUILD UP ISSUES**

	<b>Standard Hose Clamped Flexible Connectors</b>	<b>BFM™ System</b>
<b>HYGIENE</b>	Product building up between the flexible connector and the side wall of the spigot	No crevices for product to get caught in.
<b>SIZING</b>	From inaccuracies in measuring on site through to production, it can be very difficult to get a perfect fit of a hose clamped connector.	<b>PERFECT</b> fit every time.
<b>FITTING</b>	Both the speed and accuracy of fitting hose clamps can vary widely and often clamps are not fitted correctly.	Can only fit in exactly the correct place, i.e. in or out.
<b>EXPLOSION</b>	In an over pressure situation hose clamps are normally always the weakest link and give up or let go long before the flexible connector would be due to rupture.	Only seals tighter under high pressures.
<b>STANDARD SIZES</b>	Current flexible connectors are made any size whatsoever, hence there are thousands of different sizes.	Set standard sizes in 50mm increments helps standardise stock holdings of spare parts.
<b>HEALTH &amp; SAFETY</b>	When using screw drivers to tighten up hoseclips, damage is common to the flexible connector and even the installers hands.	Tool free connector changing, simply snap in with your hands.

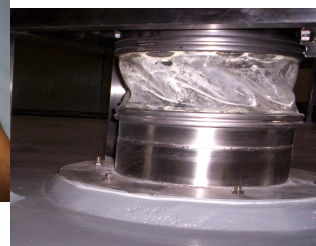
# TO THIS....



**TIDY**



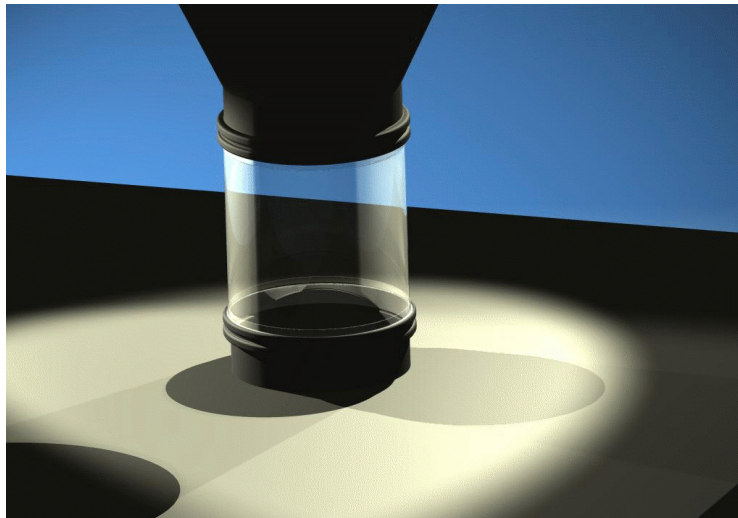
**EASY TO FIT**



**ELIMINATES ALL PRODUCT BUILD UP**

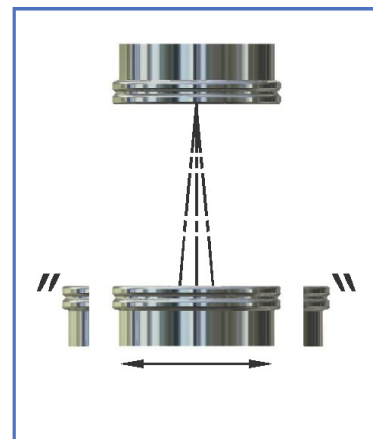
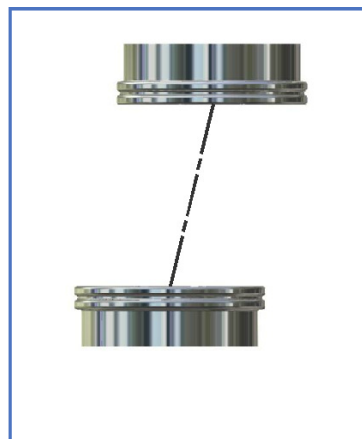
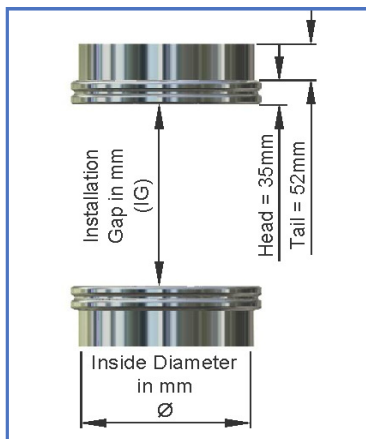
# BFM® SPIGOTS

Patents and Registered Designs Applied For © 2006  
All rights reserved



Ø (Diameter)
100
125
150
200
250
300
350
400
450
500
550
600
650

When welding the BFM™ Fittings to your equipment the Application Length must be accurately measured.



**In-line static equipment**  
IG = CL – 10mm  
(Minimum)

**Off Set equipment**  
IG = CL – 20mm  
(Minimum)

**Oscillating equipment**  
IG = CL – 40mm  
(Minimum)

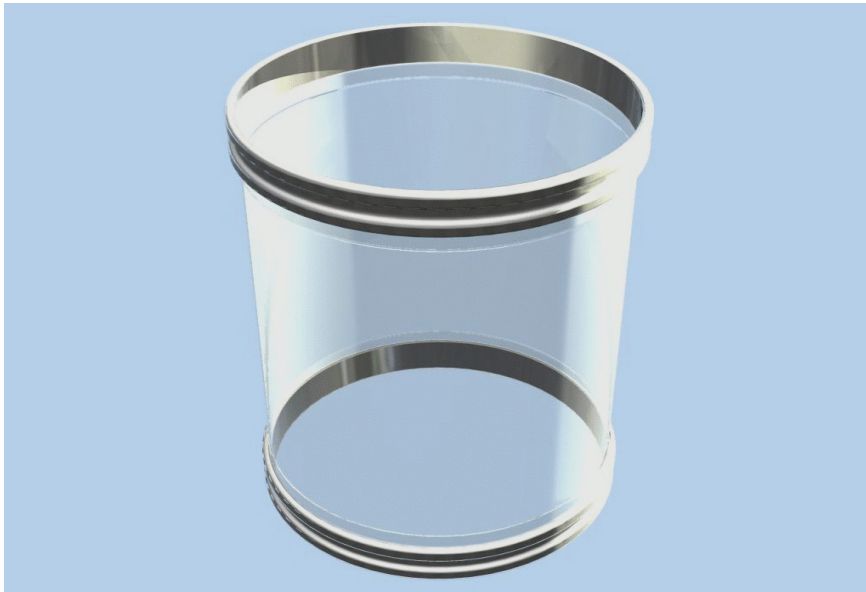
CL = Connector Length (See BFM™ Flexible Connector Sheet)

- Note:
1. The stainless steel spigots (flanges) have a tail 52mm (2") long. These can be easily cut down or cut on an angle to suit your existing pipework, see installation instructions for more information.
  2. It is important to weld the spigots onto your pipework with the length of the flexible connector in mind. Standard length flexible connectors will be stocked and hence will be more readily available, and less expensive than non standard lengths.
  3. For applications where there is a possibility for static build up, e.g. wood dust, flour, milk powder etc., we recommend using a static dissipative wire (strip), connecting the two BFM™ Spigots together.

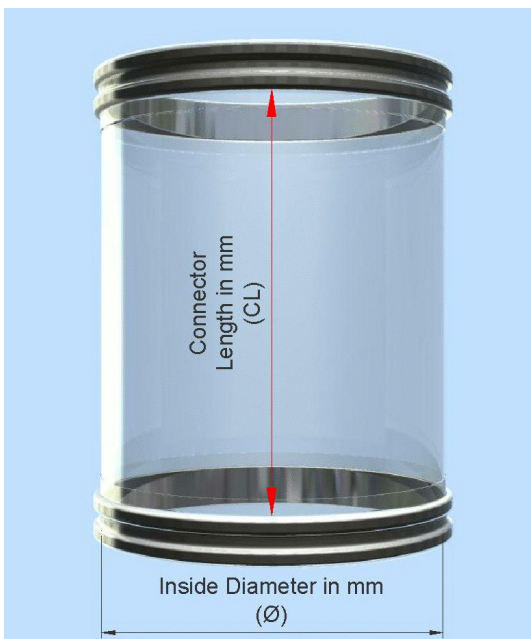


# BFM® FLEXIBLE CONNECTOR

Patents and Registered Designs Applied For © 2006  
All rights reserved



Illustrated BFM™ Connector manufactured using 040 Seeflex material (Clear Urethane)



Ø (Diameter)	Length (CL)
100	150
125	150
150	150
200	200
250	200
300	200
350	200
400	200
450	200
500	200
550	200
600	200
650	200

Read this sheet in conjunction with the BFM® Spigots page

Contact [BFM Global Ltd](#) for full range of Fabrics available

**BFM Global Ltd**  
PO Box 66-087  
Beach Haven, Auckland 0749, New Zealand  
Email: [sales@BFMfitting.com](mailto:sales@BFMfitting.com)  
[www.BFMfitting.com](http://www.BFMfitting.com)

 **BFM®**  
**fitting**  
"Keeping You Connected"